

Wightman

A thick red curved line that underlines the word 'Wightman'.

Wightman Telecom
Wireless Router
Quick Reference Booklet



Thank you for choosing Wightman Internet. The information in this booklet will guide you through the process of connecting to the internet with your Wightman wireless router.

To see the full manufacturer's guide, please visit Wightman.ca/support/internet

For technical support, please call 1-877-327-4440.

Introduction	2
TABLE OF CONTENTS	3
Wightman Wireless Connection Details	4
Installation	6
Hardware Setup	6
Back Panel	6
Power On	6
Reset Button	7
Ethernet (LAN) Ports	7
Front Panel	7
Wifi Switch	8
WPS Button	8
LED Indicators	8
Computer Connection	9
IP Configuration	9
Windows XP Instructions	9
Windows 8.x, 7, and Vista Instructions	10
Wireless Router Connection	10
Web User Interface	10
Default Settings	10
Login Procedure	11
Frequently Asked Questions	12

WIGHTMAN WIRELESS CONNECTION DETAILS

Please write down your SSID and passcode information in the space below. You will need this information for your wireless connections. Please have this information ready if calling in to our technical support group.

Wifi Access (see image below)

Wireless Router SSID : _____

Wireless key (passcode): _____

Example of Router Label (found on top of router)

SSID	wightman9E1Z		
PASSCODE	8E858F9E1Z		
LOGIN URL	http://192.168.1.1/		
USERNAME	user	PASSWORD	useradmin1

WIRELESS ROUTER ACCESS

This section describes how to access the device via the web user interface (WUI) using an Internet browser such as Internet Explorer (version 5.0 and later). This is only required to adjust or configure the optional functionality of the wireless router.

Default Settings

The factory default settings of this device are summarized below.

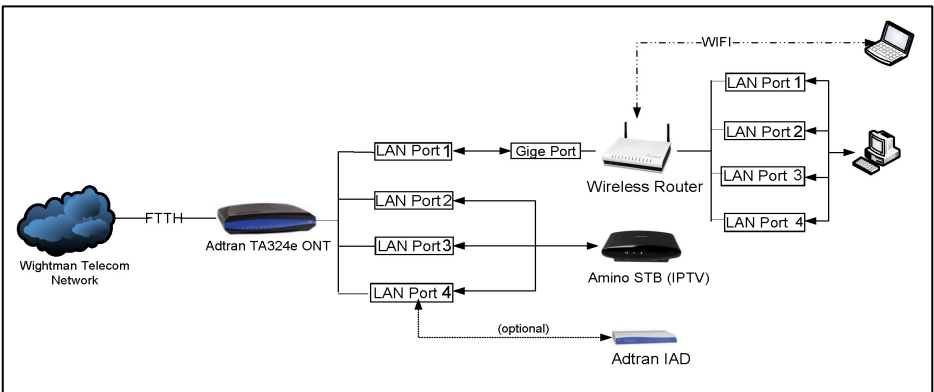
- LAN IP address: 192.168.1.1
- LAN subnet mask: 255.255.255.0

- User access (username: **user**, password: useradmin1)
 - WLAN access: **enabled**
- (more detail can be found on page 9 of this booklet)*

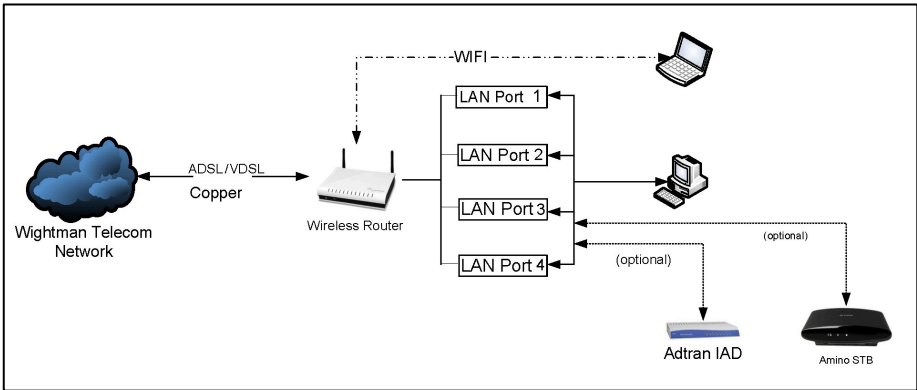
Connection Drawings

The following drawings show the device connections of our two customer applications. The first, FTTH with Wireless Router, is used if your service is delivered directly to your home, apartment, condo, or business on fibre. The second, xDSL with Wireless Router, is used if your service is delivered to your home, apartment, condo, or business on copper.

FTTH with Wireless Router Deployment



xDSL with Wireless Router Deployment



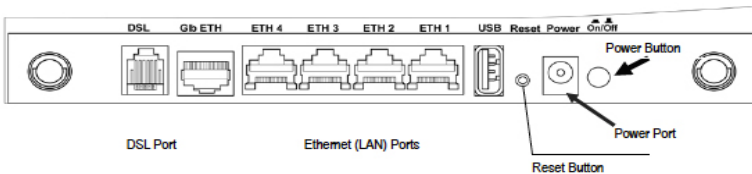
Installation

Hardware Setup

Follow the instructions below to complete the hardware setup.

BACK PANEL

The figure below shows the back panel of the device.



Power ON

Press the power button to the OFF position (OUT). Connect the power

adapter to the power port. Attach the power adapter to a wall outlet or other AC source. Press the power button to the ON position (IN). If the Power LED displays as expected then the device is ready for setup (see LED Indicators).

Reset Button

Restore the default parameters of the device by pressing the Reset button for 5 to 10 seconds. After the device has rebooted successfully, the front panel should display as expected (see LED Indicators for details).

Ethernet (LAN) Ports Use 10/100 BASE-T RJ-45 cables to connect up to four network devices. These ports are auto-sensing MDI/X; so either straight-through or crossover cable can be used.

Gb ETH Port Use RJ45 straight through or crossover MDI/X cable to connect to Ethernet WAN (only used for FTTH applications).

DSL Port Connect to an xDSL phone line with this RJ11 Port. This device contains a micro filter which removes the analog phone signal. If you wish, you can connect a regular telephone to the same line by using a filter on the cord connecting to the phone. (Only used for xDSL applications).

FRONT PANEL

The Wi-Fi & WPS buttons are located on the bottom-left of the front panel, as shown.



WiFi Switch

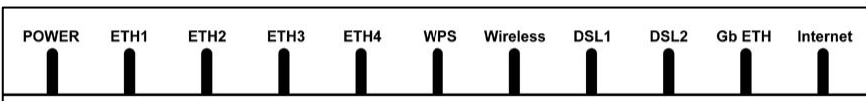
Press this button to enable/disable the wireless LAN (WLAN).

WPS Button

Disabled by default.

LED Indicators

The front panel LED indicators are shown below.



The following LED indicators should be green or flashing green if the wireless router is connected and operating correctly:

- *For FTTH wireless router applications:*
 - Power
 - ETH1-ETH4 if in use by customer
 - Wireless
 - Gb ETH
 - Internet
- *For xDSL wireless router applications:*
 - Power
 - ETH1 if in use by the customer
 - ETH2-ETH4 if in use by the customer or for TV set-top boxes
 - Wireless
 - DSL1
 - Internet

COMPUTER CONNECTION

IP Configuration

DHCP MODE When the wireless router powers up, the onboard DHCP server will switch on. Basically, the DHCP server issues and reserves IP addresses for LAN devices, such as your PC. To obtain an IP address from the DHCP server, follow the steps provided below.

NOTE: The following procedure assumes you are running Windows XP or Windows 7. However, the general steps involved are similar for most PC computer operating systems (OS). Check your OS support documentation for further details.

Windows XP Instructions

STEP 1: From the Start menu, select Control Panel, then Network Connections.

STEP 2: From the Network Connections window, open Local Area Connection (*You may also access this screen by double-clicking the Local Area Connection icon on your taskbar*). Click the **Properties** button.

STEP 3: Select Internet Protocol (TCP/IP) **and click the** Properties button.

STEP 4: Select Obtain an IP address automatically.

Windows 8.x, 7, and Vista Instructions:

STEP 1: From the Start menu, select Control Panel, then Network and Internet and/or Network and Sharing Center. *(You may also access this by right clicking the local area connection in the taskbar and select Open Network and Sharing Center.)*

STEP 2: On the left of the page, click Change Adapter Settings.

STEP 3: Double click the Local Area Connection and click the Properties button.

STEP 4: Select Internet Protocol version 4 (TCP/IPv4) and click the Properties button.

STEP 5: Select Obtain an IP Address automatically and click OK.

WIRELESS ROUTER CONNECTION

Web User Interface

This section describes how to access the device via the web user interface (WUI) using an Internet browser such as Internet Explorer (version 5.0 and later). This is only required to adjust or configure the optional functionality of the wireless router.

Default Settings

The factory default settings of this device are summarized below.

- LAN IP address: 192.168.1.1
- LAN subnet mask: 255.255.255.0
- User access (username: **user**, password: useradmin1)
- WLAN access: **enabled**

Login Procedure

Perform the following steps to login to the web user interface.

Note: The default settings can be found in Default Settings section.

STEP 1: Start the Internet browser and enter the default IP address for the device in the Web address field. For example, if the default IP address is 192.168.1.1, type `http://192.168.1.1` .

NOTE: The PC running the browser must be connected to the wireless router on the ETH1 port.



STEP 2: A dialog box will appear (see image on left). Enter the default username and password, as defined in Default Settings.

NOTE:

The login password can be changed later.

Details of the available customer options are provided in detail at Wightman.ca/support/internet

FREQUENTLY ASKED QUESTIONS

Q. WHERE CAN I FIND MORE INSTRUCTIONS ABOUT MY WIRELESS ROUTER?

A. A full manufacturer's guide can be found online at Wightman.ca/support/internet.

Q. HOW CAN I EXPAND MY WIFI COVERAGE?

A. The Wightman wireless router is set to the highest signal strength. The reach within your location depends on many things including the building materials used. Typically our wireless routers work very well within 15 to 20 meters. If you would like expanded coverage, Wightman offers a Wifi extender product that simply plugs into a wall at a location of medium signal strength and then re-broadcasts the signal from there. You can deploy multiple units to provide coverage of your needed area. Please contact us at 1-888-477-2177 if you interested in knowing more about our WiFi extender.

Q. WHAT IS MY MONTHLY INTERNET USAGE ALLOWANCE?

Your Wightman Internet has no bandwidth cap. Most other providers have a Usage cap that can cost up to \$100 plus per month for over usage. Not at Wightman! Our internet is truly unlimited.

Q. CAN I USE THE WIFI CONNECTION FOR OTHER HOME DEVICES LIKE GAME CONSOLES, IPADS, SMARTPHONES, COMPUTERS?

A. If your device is Wifi ready then you simply go to the Wifi settings and search for your Wifi SSID and use your wireless key passcode. Most devices save this information so you do not have to

enter it again. If you have a device that only has a network connection (no Wifi), our Wifi extender product can also be deployed in "Client" mode, which uses the Wifi signal from the main wireless router to the extender and you then connect a cable from the extender to your device.

Q. HOW MANY DEVICES CAN I HAVE CONNECTED TO MY WIRELESS ROUTER AT ONE TIME?

A. Wightman wireless routers supports all of the devices required for a small business – up to 253 devices! – with the current settings. Depending on the number of devices you have connected to the internet at one time, you may notice slower speeds as each device takes up bandwidth on your wireless network.

Q. WHAT LIGHTS SHOULD BE ON IF THE WIRELESS ROUTER IS CONNECTED AND WORKING PROPERLY?

A. Please see the LED Indicators table on page 6 of this booklet.

Q. WHAT OTHER FEATURES CAN I ENABLE OR ADJUST ON THE WIRELESS ROUTER?

A. Using the full manual available on our website, you can enable Parental Controls, modify Wifi security, and firewall settings.

Q. CAN I USE THE OTHER LAN PORTS ON THE ROUTER?

A. Depending on your Internet connection type, you may be able to use all the LAN ports on your modem. If you have our Fibre service, all of the LAN ports are available for your use. If you are on our

copper based service, some of the ports may be reserved for our IPTV offering. In this case, only LAN Port 1 is available for your internet connection. This does not limit the number of Wifi devices you want to connect.

Q. HOW DO I KEEP MY WIFI CONNECTION SECURE?

A. In urban environments, when searching for your WiFi SSID, you may see other WiFi networks. This is why we have enabled the Wireless key passcode. You should only share this with your own family or employees. We have also disabled the WPS button and its capabilities as this can open the router up to security issues.

Q. SHOULD I GET THE SAME INTERNET SPEED CONNECTED OVER WIFI AS I DO DIRECTLY CONNECTED TO THE WIRELESS ROUTER?

A. The WiFi standards have a variety of versions that define throughputs. Our Wireless router supports 802.11 b and g. The speed you will achieve is therefore dependent on the end device and the WiFi signal strength. Typically, with medium to high signal strength, you should get 80% to 90% of the speed that you would get connected directly. You can test your speed difference by running internet speedtests using the Wightman speedtest tool on our website at Wightman.ca/internet/support

Q. CAN MY CORDLESS PHONE INTERFERE WITH MY WIGHTMAN WIRELESS INTERNET CONNECTION?

A. Your Wightman wireless router is well-protected from other devices that may affect your wireless service and it is likely that you

will not experience any change in service when using other wireless devices such as microwave ovens, cordless phones, and baby monitors. However, if you do experience a delay we would recommend changing the location on your wireless router or the device you think maybe interfering with the signal.

Q. HOW DO I GET TECH SUPPORT FOR WIGHTMAN INTERNET INCLUDING MY WIRELESS ROUTER?

A. For technical support, please call Wightman Technical Support at 1-877-327-4440 and one of our representatives will be happy to help.

Q. MY INTERNET ISN'T WORKING. WHAT SHOULD I DO?

A. Check that the lights are on as per the information on pages 5 and 6. If the wireless LED is not lit, make sure the Wifi button on the front of the wireless router is on. Disconnect the power adaptor from the modem, wait 30 seconds, then re-connect the cord. Restart your computer. If you continue to experience problems, **please visit the support section of our website, Wightman.ca/support/internet/ or call Wightman Technical Support at 1-877-327-4440 and one of our representatives will be happy to help you.**

Wightman Gives You More Value:

- Award-winning Customer Service
- LOCAL 24/7 Technical Support
- Truly Unlimited Internet

Customer Care Questions: 1-888-477-2177
24/7/365 Technical Support: 1-877-327-4440

Wightman.ca